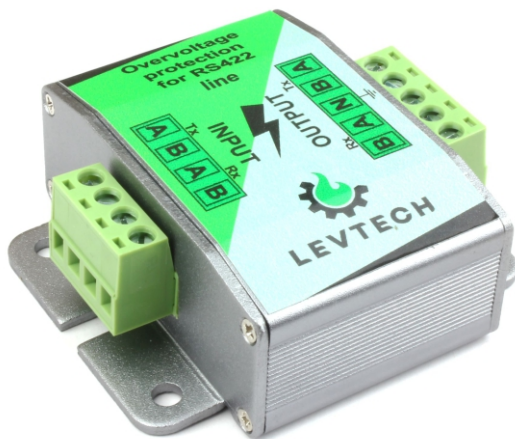


Overvoltage protection for RS422 lines LSP-OPR2



Brief description

This overvoltage protection unit is dedicated for Wayne Dresser, but suitable for all kinds of RS422 communication lines that are exposed to accidental high voltage like a lightning. It protects the receiver part from a sever damage, saving our equipments.

Features

- Overcurrent and overvoltage protection
- 4-level protection
- Hard metal case
- Mounting holes
- Screw terminals
- TBU® protected
- Blocking surges up to rated limits

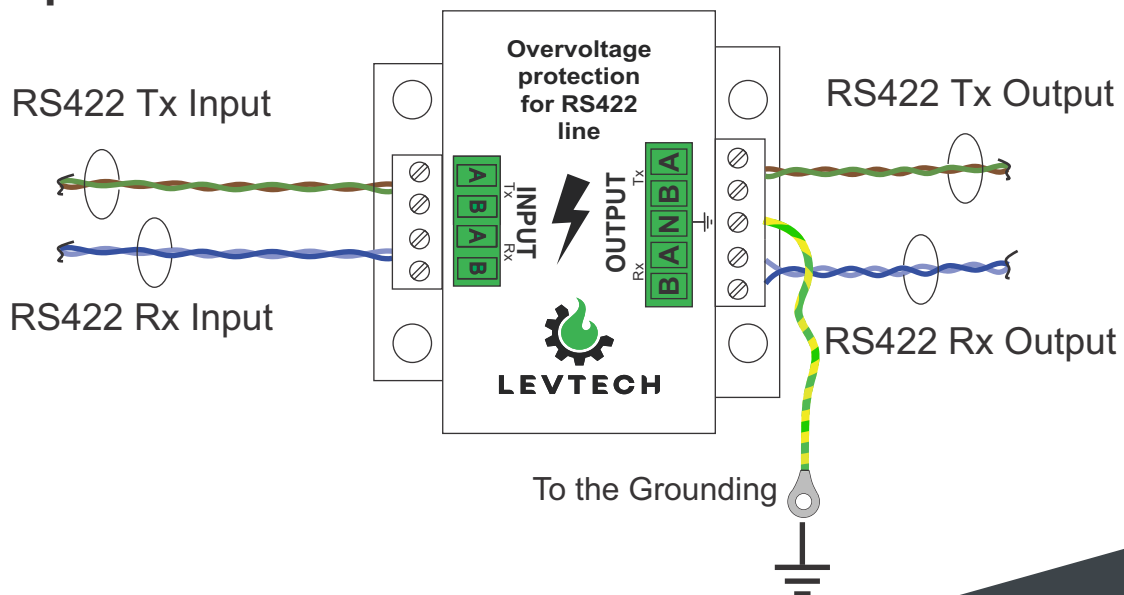


Specifications

| | |
|---|-----------------------------------|
| ESD protection | up to ± 2 kV |
| Current limit | 200 mA |
| Operating temperature | -30 °C to 80 °C |
| Activating speed | 1 μ s |
| Output voltage limit | 10 V peak to peak / ± 5 V |
| Upper input voltage limit (impulse; <10ms) | max. 650 V |
| Upper input voltage limit (continuous AC RMS) | max. 300 V |
| Connectors | 4 way / 5 way screw terminal plug |
| Dimensions (W x H x D) | 64 x 67 x 21 mm |
| Weight | 72 g |

Unprotected side

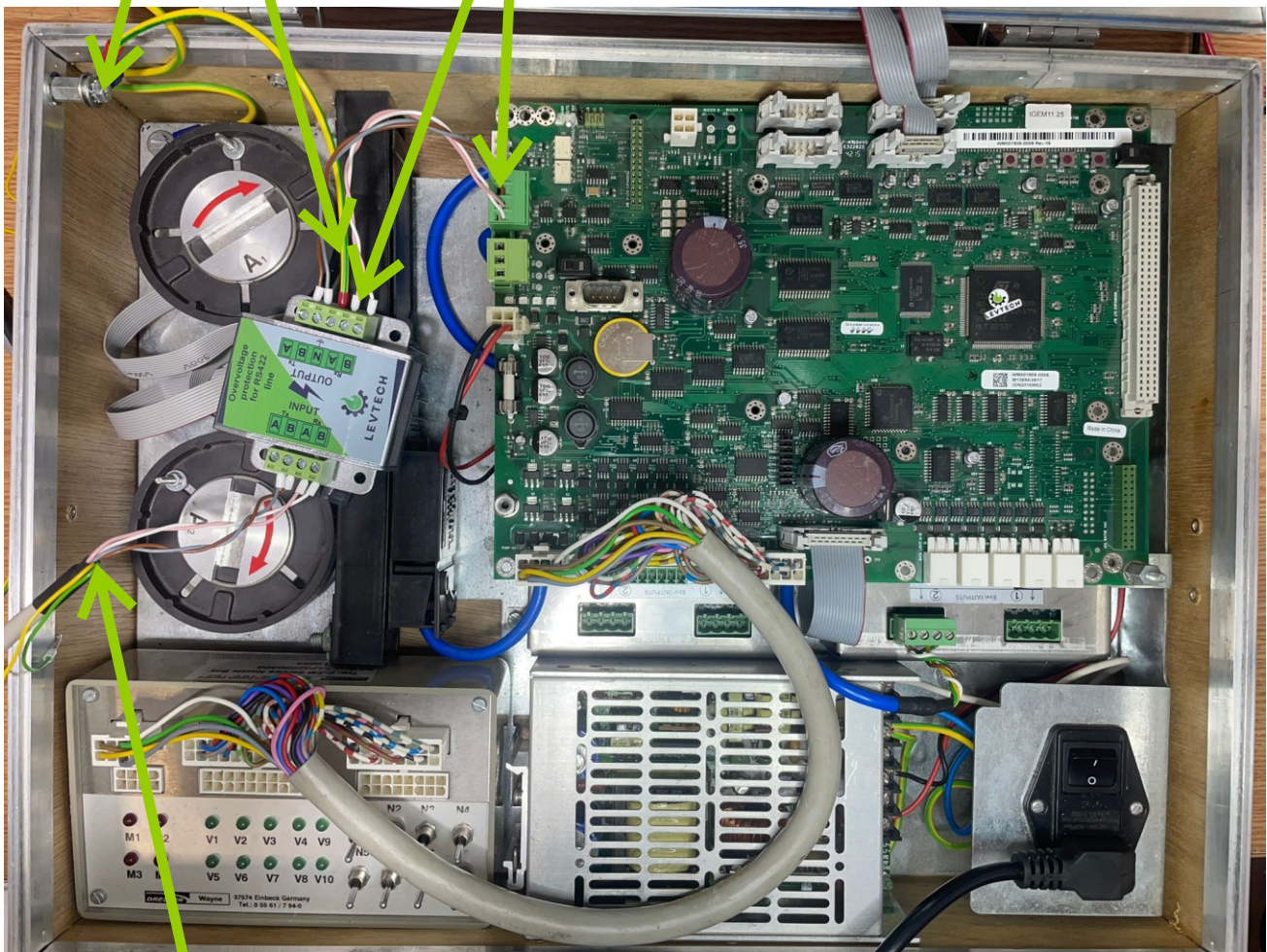
Protected side



Wiring

Grounding wire

Protected RS422 line



Rs422 input line

